



Date: 2020-04-02
 Customer: _____
 Contact: _____
 Submittee: J.C. Lavallée

**PERFORMANCE DATA SHEET
 NEMA PREMIUM NR CAN NEMA 12 - 12**

Catalogue #: **JMQP-51**

HP	kW	Voltage	S.F. @ 60Hz	EFF.	P.F.	Frame	Design	L.R. Amps
30	22,38	230/460	1,25	91,7%	0,9	286JM	B	217

60 Hz								
FLA							Code	F.L. RPM
208	230	416	460	480	575	600		
74,00	69	37,00	34,50	33,00	/	/		

50 Hz							
FLA			S.F. @ 50Hz	Efficiency	Power Factor	Code	F.L. RPM
190	380	415					
82,0	41	37,50					

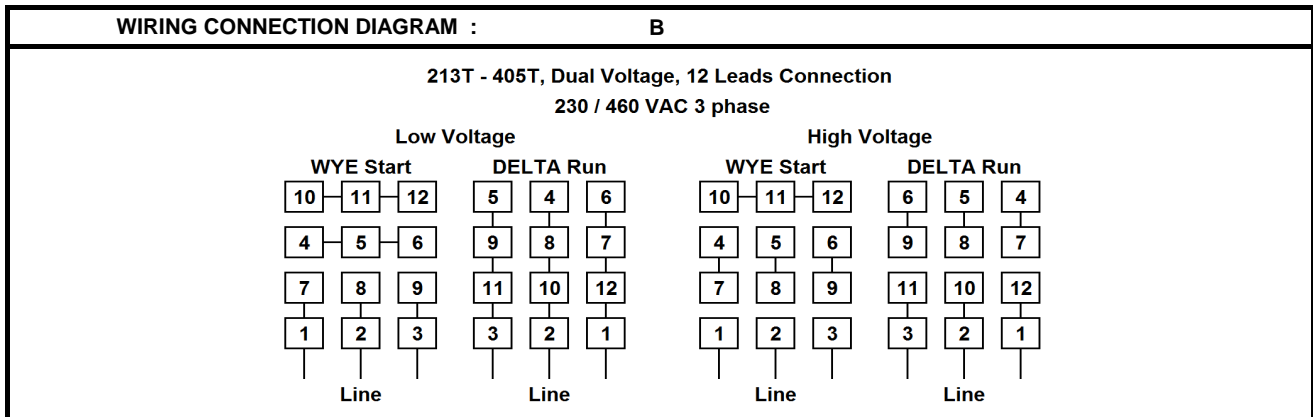
Wgt. Lbs	PH	Duty	Insul. Class	Amb.	Elevation	Temp. Rise° C
409	3	Cont.	F	40°C	1000M (3300 Ft)	53

% Efficiency		% Power Factor		Torque		Winding Resist. Ω	Safe Cold Start (Secs)
Full Load:	91,7%	Full Load:	0,90	Full Load Ft/Lbs	44,6		
3/4 Load:	92,6%	3/4 Load:	0,90	Locked Rotor %	180		
1/2 Load:	92,5%	1/2 Load:	0,84	Break Down %	280		

Rotor Inertia Wk2 Lb-Ft2	Max Load Inertia Wk2 Lb-Ft2	Shaft Material	Frame Material	DE Bracket Type	ODE Bracket Type	Enclosure	NEMA Rating	Lead Wire Size
1,90	41	Standard	Cast Iron	Standard	Standard	TEFC	IP55	10AWG

Ball Bearings		Grease	Mount Type	Orientation	Paint	Sound Pressure @ 3FT	Sound Power
DE	ODE						
6311	6311	Mobil PolyrexEm	Rigid	Horizontal	Green	83	94

Inverter Duty. Motor meets MG1 parts 31.4.4.2	Constant Torque Range	Variable Torque Range	Constant HP RPM
		10:1	20:1

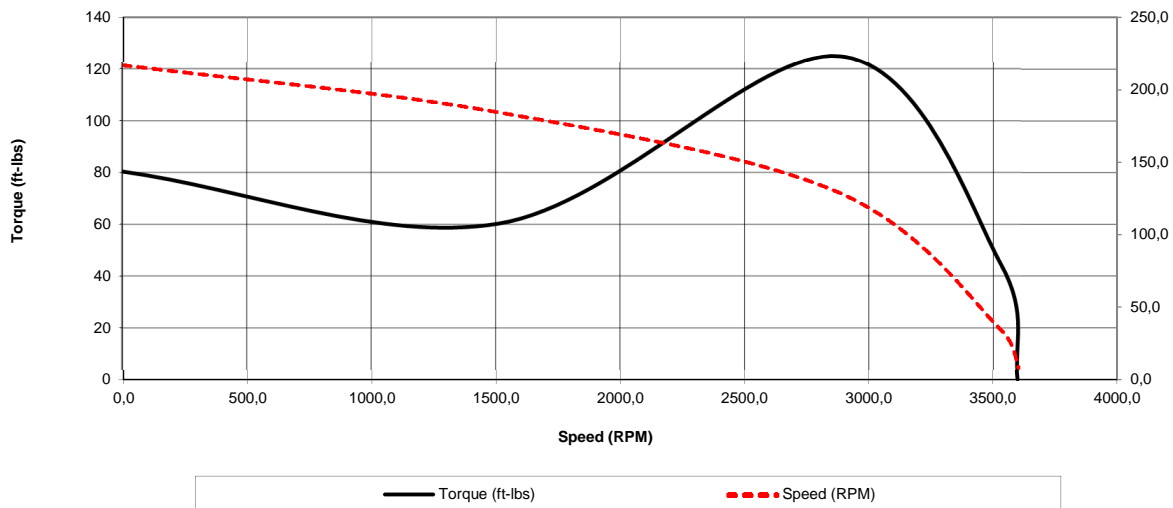


Date: 2020-04-02
 Customer: _____
 Contact: _____
 Submittee: J.C. Lavallée

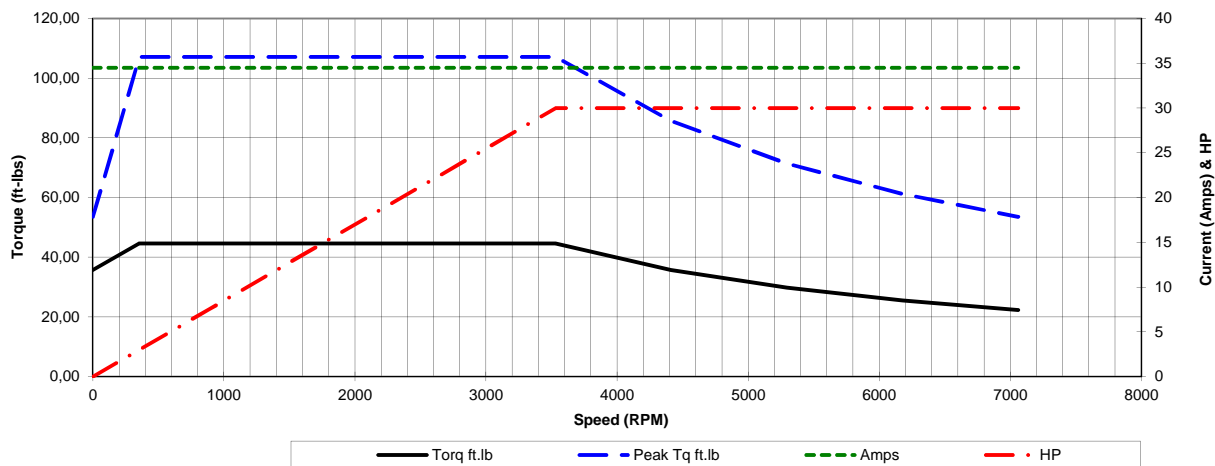
Catalogue #: **JMQP-51**

NEMA PREMIUM NR CAN NEMA 12 - 12										
HP	VAC	RPM	Enclosure	Frame	Frequency	Design	Poles	LR Code Letter	Insulation Class	Temp. Rise °C
30	460	3530	TEFC	286JM	60	B	2	G	F	53
	0Hz	6Hz	15Hz	30Hz	45Hz	60Hz	75Hz	90Hz	105Hz	120Hz
Amps	34,5	34,5	34,5	34,5	34,5	34,5	34,5	34,5	34,5	34,5
RPM	0	353	882,5	1765	2647,5	3530	4412,5	5295	6177,5	7060
Torq ft.lb	35,71	44,63	44,63	44,63	44,63	44,63	35,71	29,76	25,51	22,32
Peak Tq ft.lb	53,56	107,12	107,12	107,12	107,12	107,12	85,70	71,42	61,21	53,56
HP	0	3,0	7,5	15,0	22,5	30,0	30,0	30,0	30,0	30,0
	Locked Rotor	Pull-Up	Breakdown	Rated Load	Idle	Duty	S. F.	Ambient	Elevation	dBA @ 1M
Speed (RPM)	0,0	1512	2880	3530	3600	Continuous	1,25	40°C	3300 ft	83
Current (Amps)	217,0	184,5	129,1	34,5	8,5	VFD Rating: Meets MG1 parts 31.4.4.2				
Torque (ft-lbs)	80,3	60,3	125,0	44,6	0,0	C.T.	10:1	V.T.	20:1	

Motor Speed Data



Motor Torque Capability vs RPM





Date: 2020-04-02
 Customer: _____
 Contact: _____
 Submittee: J.C. Lavallée

Catalogue #: **JMQP-51**

NEMA PREMIUM NR CAN NEMA 12 - 12										
HP	VAC	RPM	Enclosure	Frame	Frequency	Design	Poles	LR Code Letter	Insulation Class	Temp. Rise °C
30	460	3530	TEFC	286JM	60	B	2	G	F	53
Load %	0%	25%	50%	75%	100%	125%	150%			
Amps	8,50	11,36	17,74	25,00	34,50	42,08	50,77			
Torq ft./lbs	0	10,64	21,39	32,45	43,74	55,02	66,46			
RPM	0	3582,5	3565	3547,5	3530	3512,5	3495			
Eff	0	88,31	92,50	92,60	91,70	91,70	91,70			
PF	0	70	84	89,5	90	91	90,5			
	Locked Rotor	Pull-Up	Breakdown	Rated Load	Idle	Duty	S. F.	Ambient	Elevation	dBA @ 1M
Speed (RPM)	0	1512	2880	3530	3600	Continuous	1,25	40°C	3300 ft	83
Current (Amps)	217	184,5	129,1	34,5	8,5	VFD Rating: Meets MG1 parts 31.4.4.2				
Torque (ft.-lbs)	80,34	60,26	124,98	44,63	0,0	C.T.	10:1	V.T.	20:1	

